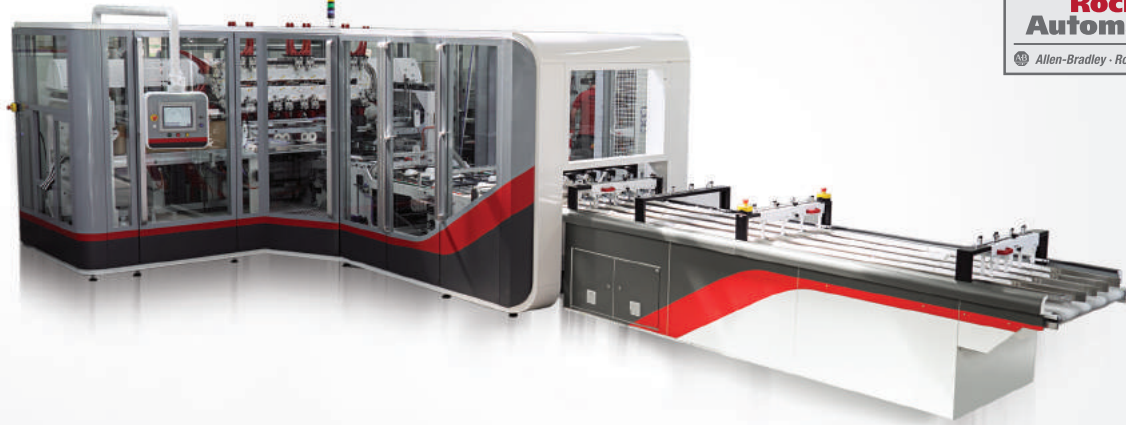




**STAX Technologies**  
TISSUE PACKAGING SOLUTIONS



## ROLL WRAPPER **ULTIMA**



Automated with  
**Rockwell Automation**  
Allen-Bradley - Rockwell Software

ULTIMA is a new generation wrapper with highest production speed on the market and at the same time around 40% less energy consumption comparing to known conventional models which declare same or similar speed. ULTIMA is the first machine on the market using iTRAK which allows to maintain perfect shape of the packs, even when running on speeds above 200 packs/min at the same time grants extremely easy and fastest changeover time. This supreme and impressive wrapper is undoubtedly revolution in tissue packaging!

This machine is not intended for sale in Italy

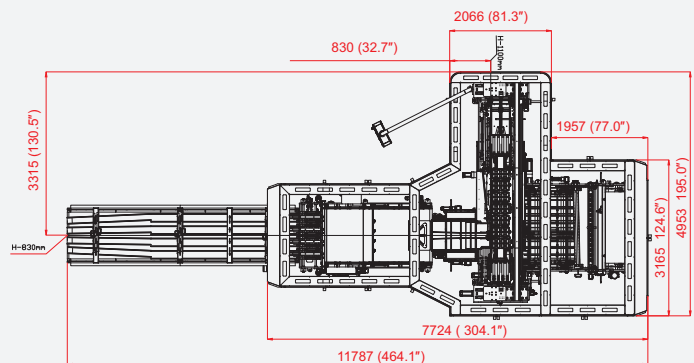
### CHARACTERISTICS

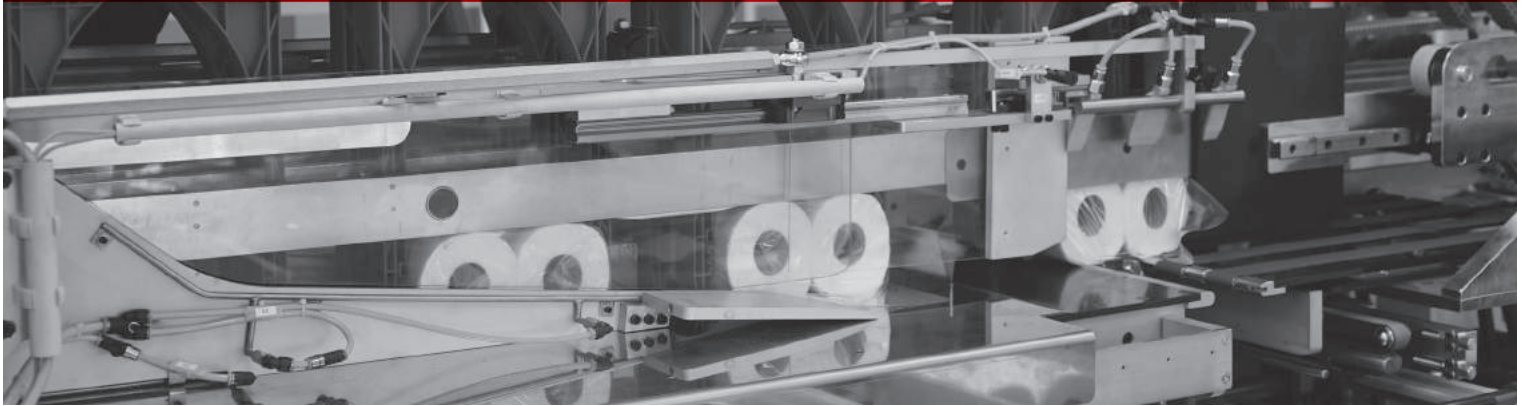
Infeed .....	4 lanes
Mechanical speed .....	220 cycles/min
Production speed .....	200+ packs/min
Layers .....	2
Average format changeover time .....	5 - 10 min
Roll diameter .....	95 - 150 (200) mm (3.7" - 5.9" (7.8"))
Roll length .....	90 - 280 mm (3.5" - 10.6")
Pack width .....	180 - 480 mm (7.0" - 18.9")
Pack length .....	90 - 400 mm (3.5" - 15.5")
Pack height .....	90 - 300 mm (3.5" - 11.8")
Wrapping material .....	PE, LDPE
PE thickness, LDPE .....	30 - 40 μ
Reel diameter .....	up to 500 mm (19.7")
Installed power .....	52 kW
Real power consumption .....	27 kW
Air consumption .....	< 750l/min
Machine weight .....	12500 kg

### OPTIONS

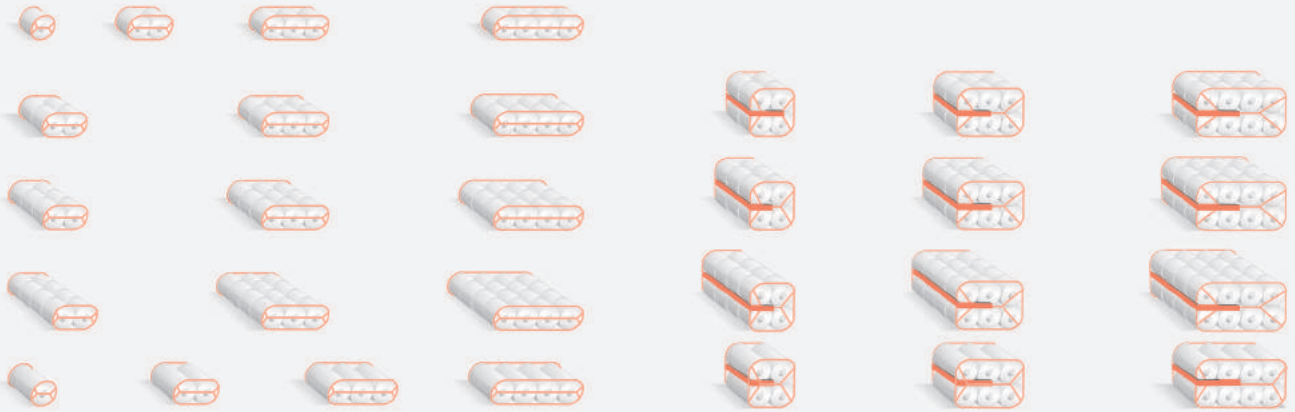
- \_\_\_\_\_ Handle applicator
- \_\_\_\_\_ 4 - 5 built in diverter
- \_\_\_\_\_ Rolls and packs handling devices
- \_\_\_\_\_ Additional conveyors
- \_\_\_\_\_ Inkjet printer
- \_\_\_\_\_ Lateral perforation for easy opening
- \_\_\_\_\_ Roll diameter up to 200 mm (7.9")

### DIMENSIONS

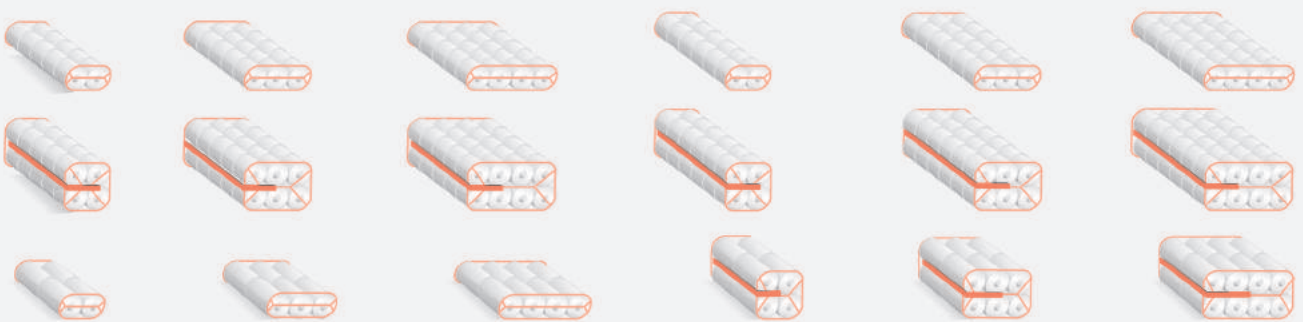




**PACKAGING VARIATIONS**



**OPTIONAL**



**5 ROLLS WIDTH PACKS (OPTIONAL)**

